

**TH 60****KARGO<sup>TH</sup>**

CE ISO9001

**STANDARD EQUIPMENTS****Engine**

|                     |                                   |
|---------------------|-----------------------------------|
| Rated capacity      | 6000 kg with load center at 600mm |
| Manufacturer / type | ISUZU / A-6BG1QC-02               |
| Energy / capacity   | Diesel / 6.494 L                  |
| Rated output        | 82.3 Kw / 2000tr/mn               |
| Rated torque        | 416 Nm / 1400 tr/mn               |
| Transmission        | TCM Converter                     |

**Specifications**

|  |                                    |
|--|------------------------------------|
| Fuel tank                                      | 140 L                              |
| Gearbox  | 2 forward gears / 2 backward gears |
| Travel speed (no load / full load)             | 28/26 Km/h                         |
| Lift speed (no load / full load <sup>o</sup> ) | 0.55/0.33 m/s                      |
| Turning radius                                 | 3450 mm                            |
| Max. gradeability                              | 20%                                |
| Mast tilt angle                                | 6/12 deg                           |
| Operational weight                             | 8840 kg                            |
| Front tires                                    | 8.25-15-14PR                       |
| Rear tires                                     | 8.25-15-14PR                       |
| Front wheel clearance                          | 1470 mm                            |
| Rear wheel clearance                           | 1700 mm                            |
| Wheelbase                                      | 2250 mm                            |
| Overall length                                 | 3592 mm                            |
| Overall width                                  | 1995 mm                            |
| Overhead guard height                          | 2420 mm                            |
| Fork size                                      | 1220 mm                            |

**Driving station**

|   |
|---|
| Hydrostatic power steering                                    |
| Ergonomical levers  |
| Numerical hourmeter   |
| Permanent fuel gauge  |
| Engine oil pressure warning light                             |
| Alternator charge warning light                               |
| Tilt steering column  |
| Kargo suspension seat with back rest adjustment and seat belt |
| Amenity tray  |
| Handbrake   |
| Rear lighting   |
| 2 front working lamps   |
| Engine hood assisted opening                                  |
| Easy access handle to the driving station                     |

**Performance**

|  |
|--|
| Industrial engine designed and manufactured by |
| Easy maintenance                               |

**ISUZU**

This document is not contractual. KARGO SAS reserves the right to bring any modification without prior notice.

**COMBUSTION FORKLIFT – DIESEL 6 Tons**

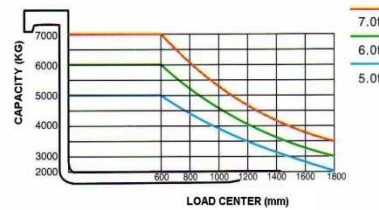
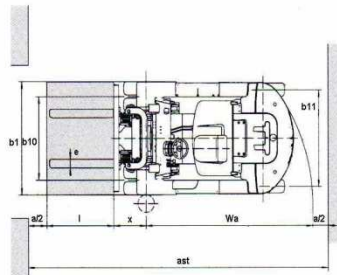
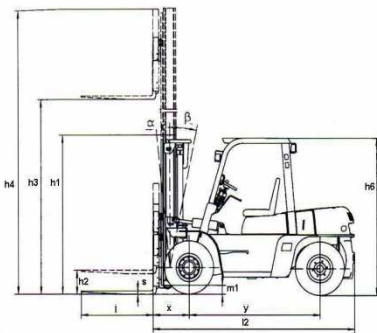
**TH 60**

**KARGO<sup>TH</sup>**



CE ISO9001

**DIAGRAMS**



| <b>Available mast for KARGO TH60</b> |                  |                     |                  |                      |
|--------------------------------------|------------------|---------------------|------------------|----------------------|
|                                      | Lift height      | Mast lowered height | Free lift height | Mast extended height |
| <b>DOUBLE MAST</b><br>full mast      | VM300 : 3000mm   | 2500mm              | 150mm            | 3975mm               |
|                                      | VM330 : 3300mm   | 2650mm              | 150mm            | 4275mm               |
|                                      | VM350 : 3500mm   | 2750mm              | 150mm            | 4475mm               |
|                                      | VM400 : 4000mm   | 3050mm              | 150mm            | 4975mm               |
|                                      | VM450 : 4500mm   | 3300mm              | 150mm            | 5475mm               |
|                                      | VM500 : 5000mm   | 3550mm              | 150mm            | 5975mm               |
|                                      | VM550 : 5500mm   | 3850mm              | 150mm            | 6475mm               |
|                                      | VM600 : 6000mm   | 4100mm              | 150mm            | 6975mm               |
| <b>TRIPLE MAST</b><br>full free mast | VFHM450 : 4500mm | 2655mm              | 1741mm           | 5475mm               |
|                                      | VFHM480 : 4800mm | 2760mm              | 1845mm           | 5775mm               |
|                                      | VFHM500 : 5000mm | 2825mm              | 1915mm           | 5975mm               |
|                                      | VFHM540 : 5400mm | 2960mm              | 2045mm           | 6375mm               |
|                                      | VFHM600 : 6000mm | 3160mm              | 2245mm           | 6975mm               |

Others masts are available, contact us.

\* Mast extended height + 454mm if equipped with backrest