

ION 420

KARGO^{ION}



CE ISO9001

STANDARD EQUIPEMENTS

Specifications

Rated capacity	2000 kg with load center at 500mm
Travel speed (no load / full load)	11.5/10.5 Km/h
Lift speed (no load / full load)	0.36/0.245 m/s
Turning radius	2050 mm
Max. gradeability	10%
Mast tilt angle	6/12 deg
Operational weight	4080 kg
Front tires	7.00-12-12PR
Rear tires	18X7-8-14PR
Front wheel clearance	960 mm
Rear wheel clearance	950 mm
Wheelbase	1500 mm
Overall length	2382 mm
Overall width	1150 mm
Overhead guard height	2150 mm
Fork size	1070 mm

Equipements



- D/C Motor with separated excitation
- Variator MOSFET
- Hydrostatic power steering
- Ergonomical levers
- Digital hour meter
- Multi-purpose battery load indicator
- Adjustable steering column
- Kargo suspension seat with back rest adjustment and seat belt
- Handbrake
- Lighting (driving lights and warning lights)
- 2 front working lamps
- Engine hood assisted opening
- Easy access handle to the driving station



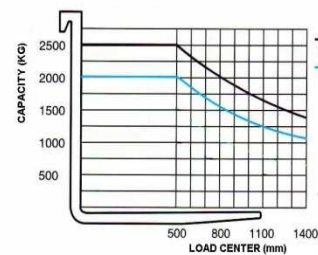
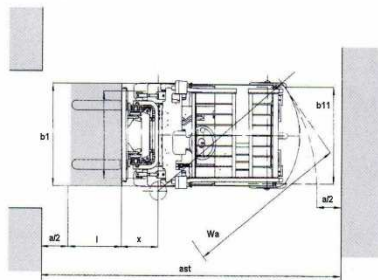
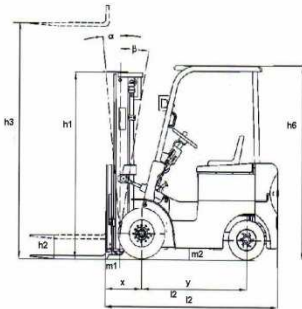
ION 420

KARGO^{ION}



CE ISO9001

DIAGRAMS



Available mast for KARGO ION420

	Lift height	Mast lowered height	Free lift height	Mast extended height
DOUBLE MAST full mast	VM300 : mât 3000mm	2022mm	330mm	3575mm
	VM330 : mât 3300mm	2172mm	330mm	3875mm
	VM350 : mât 3500mm	2272mm	330mm	4075mm
	VM370 : mât 3700mm	2372mm	330mm	4275mm
	VM400 : mât 4000mm	2572mm	330mm	4575mm
	VM425 : mât 4250mm	2697mm	330mm	4825mm
	VM450 : mât 4500mm	2822mm	330mm	5075mm
	VM475 : mât 4750mm	2947mm	330mm	5325mm
	VM500 : mât 5000mm	3072mm	330mm	5575mm
	VM550 : mât 5500mm	3372mm	330mm	6075mm
VM600 : mât 6000mm	3622mm	330mm	6575mm	
DOUBLE MAST full free mast	VFM300 : mât 3000mm	2060mm	1515mm	3569mm
	VFM330 : mât 3300mm	2210mm	1665mm	3869mm
	VFM350 : mât 3500mm	2310mm	1765mm	4069mm
	VFM370 : mât 3700mm	2410mm	1865mm	4269mm
	VFM400 : mât 4000mm	2610mm	2065mm	4569mm
	VFM425 : mât 4250mm	2735mm	2190mm	4819mm
	VFM450 : mât 4500mm	2860mm	2315mm	5069mm
	VFM475 : mât 4750mm	2985mm	2440mm	5319mm
	VFM500 : mât 5000mm	3110mm	2565mm	5569mm
	VFM550 : mât 5500mm	3410mm	2865mm	6069mm
VFM600 : mât 6000mm	3660mm	3115mm	6569mm	
TRIPLE MAST full free mast	VFHM360 : mât 3600mm	1860mm		
	VFHM400 : mât 4000mm	1985mm		
	VFHM435 : mât 4350mm	2110mm		
	VFHM450 : mât 4500mm	2160mm		
	VFHM480 : mât 4800mm	2260mm		
	VFHM500 : mât 5000mm	2360mm		
	VFHM540 : mât 5400mm	2485mm		
VFHM600 : mât 6000mm	2710mm			

Others masts are available, contact us.

* Mast extended height + 455mm if equipped with backrest

KARGO SAS – ZI des Pays Bas – 29510 BRIEC DE L'ODET – FRANCE

ELECTRIC FORKLIFT – 4 WHEELS – 2 Tons